



ZODIAC

WEST MARINE BY ZODIAC 2006
SPARE PARTS **2006'** PIECES DETACHEES Indice 17 juin 06



Foldable TENDER

Z24001 WM BY ZODIAC 3 RU 2006

Z24004 WM BY ZODIAC 4 SB 2006

Z24002 WM BY ZODIAC 4 HP 2006

Z24005 WM BY ZODIAC 5 SB 2006

Z24003 WM BY ZODIAC 5 HP 2006

RIB TENDER

Z24006 WM BY ZODIAC 4 COMPACT RIB 06

Z24007 WM BY ZODIAC 5 RIB

SPARE PARTS
LISTS & DRAWING
2 pages →

WEST MARINE 06 RANGE

GDB/JUNE 06

FOLDABLE BOATS SPARE PARTS

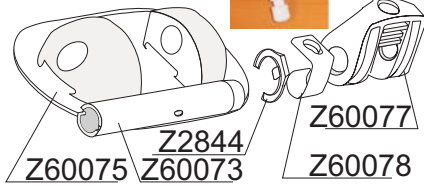
Z60694 TELESCOPIC OAR
+ RING 1M55 GREY (2)



3 RU / 4 HP / 4 SB
4 COMPACT RIB



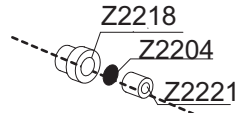
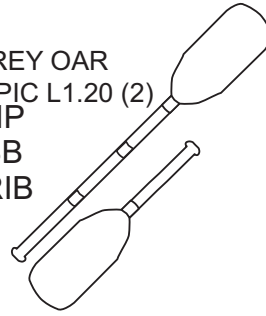
Z60738
Gr.Grey



Z60075 Z2844
Z60073

Z60077
Z60078

Z60866 GREY OAR
TELESCOPIC L1.20 (2)
5 HP
5 SB
5 RIB



Z2218

Z2204

Z2221

Valve Enc. Gris Clair
Light Grey Rec. Valve

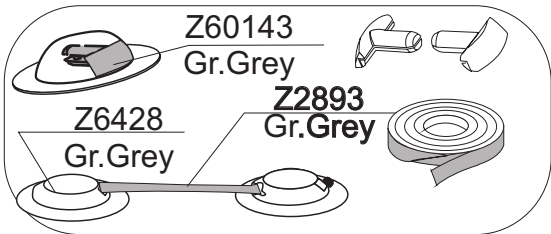
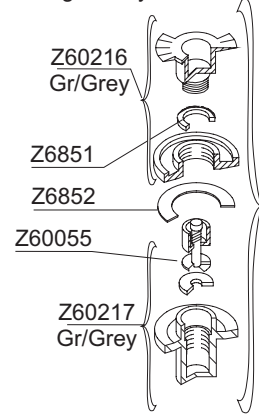
Z60216
Gr/Grey

Z6851

Z6852

Z60055

Z60217
Gr/Grey

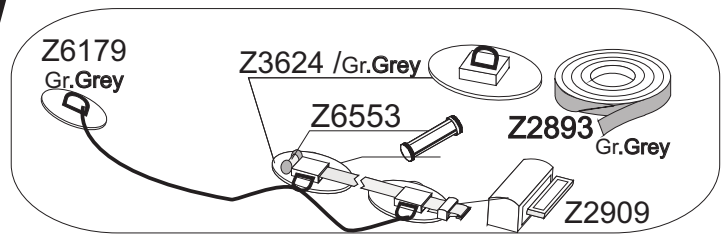


Z60143
Gr.Grey

Z6428
Gr.Grey

Z2893
Gr.Grey

3 RU / 4 HP--SB
4 COMPACT RIB



Z6179
Gr.Grey

Z3624 /Gr.Grey

Z6553

Z2893
Gr.Grey

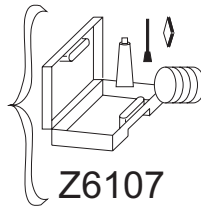
Z2909

5 HP / 5 SB / 5 RIB

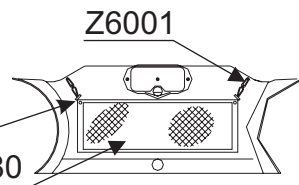


Z60865
" Except HP floor "

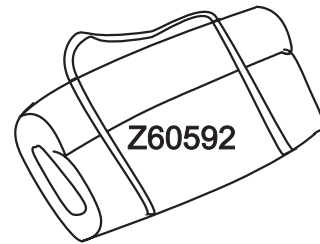
Z2742
Z60880



Z6107



Z6001



Z60592

Z2846

Z2847

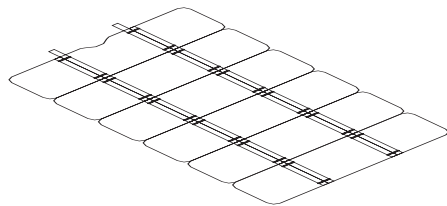
Z2233

Z2234

Z3001

Z2232

Z2272



Z6902

Z6903



Z3343

Z2846

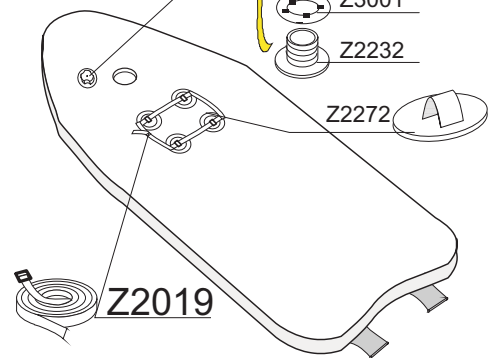
Z2847

Z3292

Z3293

Z3001

Z3294



Z2019

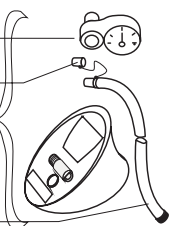
Z2274

Z6854

Z60051

HP FLOOR
INFLATOR

Z60045



WEST MARINE 06 RANGE

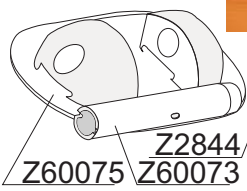
GDB/JUNE 06

TENDER RIB SPARE PARTS

Z60694 TELESCOPIC OAR
+ RING 1M55 GREY (2)

3 RU / 4 HP / 4 SB
4 COMPACT RIB

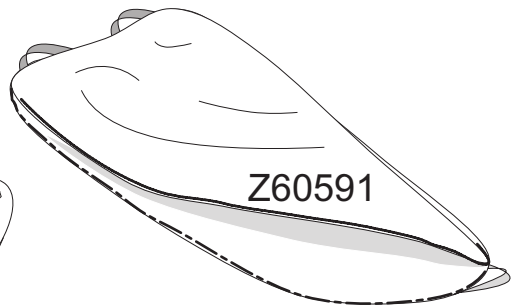
Z60738
Gr.Grey



Z2844
Z60075 Z60073

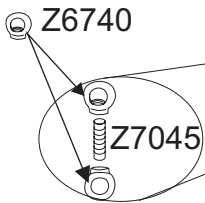
Z60077
Z60078

Z60443



Z60591

Z6001



Z6740

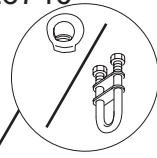
Z7045

Z2742
Z60880

Z2218
Z2204
Z2221

Z24006
WM BY ZODIAC
4 COMPACT RIB 06

Z6740



Z1488

Z6179
Gr.Grey

Z3624 /Gr.Grey

Z6553

Z2893
Gr.Grey

Z2909

Z60216

Z6851

Z6852

Z60055

Z60217

Z60696

Z2154

Z60443

Z2903

5 HP
5 SB
5 RIB

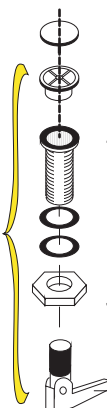
Z60866 GREY OAR
TELESCOPIC L1.20 (2)

Z24007
WM BY
ZODIAC 5 RIB

Z1946

Z1947

Z1944

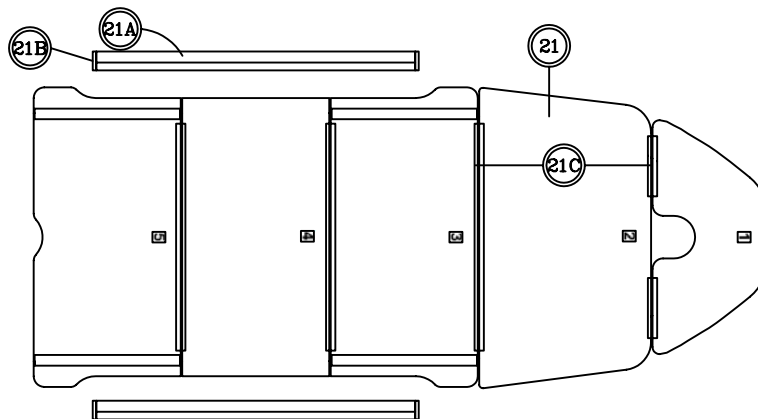
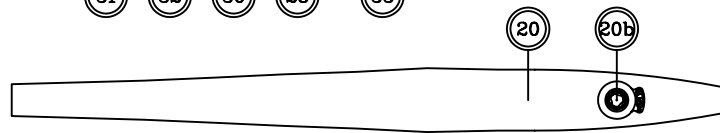
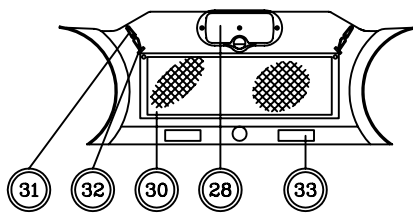
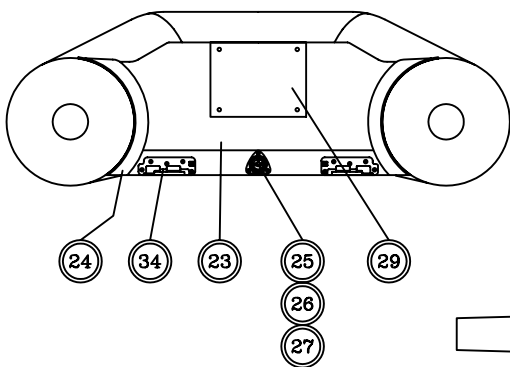
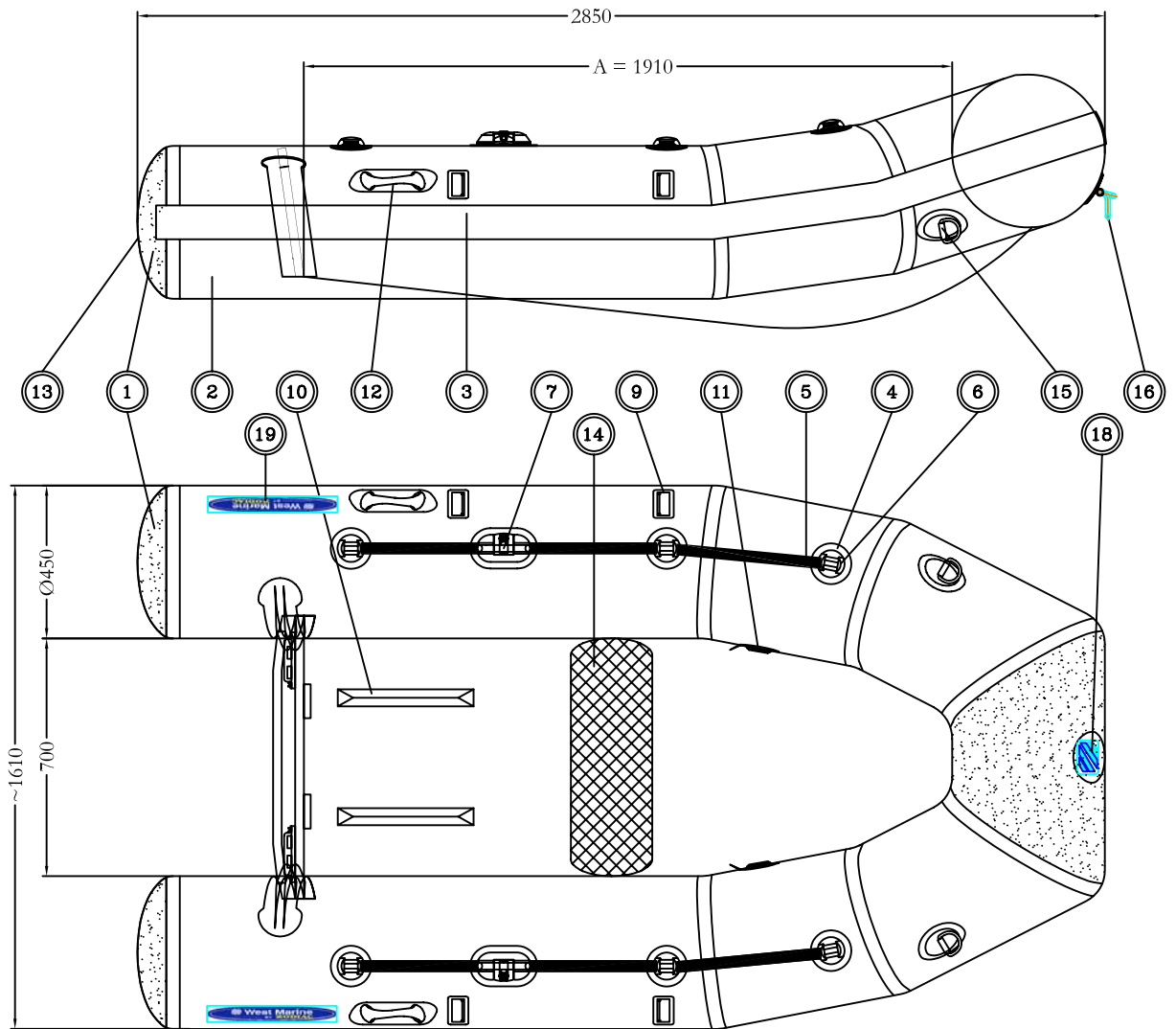


Z24001 WM BY ZODIAC 3 RU 06			dja le 02,05,06
Rep.	PTN°	Description FR	Description GB
EQUIPMENT FLOTTEUR -- BUOYANCY TUBE EQUIPMENT			
1	Z7051	T/GRIS ZODIAC REPAR.(1ML)	MEDIUM GREY REPAIR FABRIC
2	Z7041	T/REPAR.950 GRIS CLAIR	LIGHT GREY REPAIR FABRIC
3	Z60152	DEF.WEST GR/BLC/BLEU>01	RUB.STRAKE WEST GR/WH/BL>01
4	Z6428	PAS.SANGL/DRISS.GR/CL.(1)	GREY STRAP 35MM (10M)
5	Z2893	SANGLE GRISE L35MM (10M)	MOULD.STRAP/ROPE HOLD 1GR
6	Z60143	VERROU SANGLE "T" GR. (4)	RETAINER FOR STRAP "T" GR (4)
7	Z60738	TOLET BLOQUEUR AVIRON GRIS (2)	OAR LOCK JUBILEE CLIP GREY (2)
7	Z60073	AXE DN BASC. 01 GR-CL (1)	AXE RECL.OAR 01 GREY (1)
7	Z2844	AN.AXE DAME BASCUL.GR(10)	RING F/RECL.OAR GREY PLAST.10
7	Z60075	EMBASE 01 DN BASC. GR-CL (1)	SUPPORT RECLINING OAR 01 GREY
7	Z60077	COQUILLE. 02 GR-CL DNB. (1)	SWIVEL RECLINING OAR 02 GREY
7	Z60078	BOUTON RESSORT DAME NAGE(2)	RETAINER FOR OAR SWIVEL 02 (2)
9	Z6144	KIT FIX PLQ IDENT GRIS WM	MOUNT.KIT IDENT.PLATE.GR
11	Z60216	BOUCHON VIS VALVE ENC GR CL(5)	CAP THREAD RECES.VALVE(5)GREY
11	Z6851	JT BOUCHON V.E. (25)	GASKET/CAP RECESSED VALVE (25)
11	Z6852	JT ECROU V.E.(10)	GASKET/SCREW RECES.VALVE (10)
11	Z60055	SUPPORT CLAP. VALVE ENC.02(10)	RECESSED VALVE INSERT 2002(10)
11	Z60217	CORPS VALVE ENCASTREE GR CL(5)	BODY/SCREW.RECES.VALVE GR(5)
13	Z60631	CONE 05 CALOTTE GR.MOYEN D201	CONE END 05-D201 MEDIUM GREY
14	Z60623	POLOCHON 650X300 GRI-CL	INFLAT.THWART LIGHT GR.650X300
15	Z60891	AD 42 ROND GRIS CLAIR (2)	D RING 42 LIGHT GREY FAB (1)
16	Z60892	AD 42MM T/GRIS ZODIAC (1)	D RING 42 MEDIUM GREY FAB (1)
18	Z60893	LOGO TR. W-M PM 06	LOGO TR. W-M SMALL 06
19	Z60894	LOGO TR.WM GM 06	LOGO TR. W-M LARGE 06
PLANCHER --- WOODEN FLOOR			
21	Z60881	PLANCHER DEROULANT WM RU3 06	ROLLUP WM 240 06 WOODEN FLOOR
TABLEAU -- TRANSON			
23	Z3224	TABLEAU T3 R97 B GRIS-ZOD	TRANSON S3 MEDIUM GREY
24	Z3327	GLISSIERE TABLEAU GRISE (1)	TRANSON BRACKET (1) GREY
25	Z2218	EMBASE V/VITE EQUIPE (10)	SELF BAILER BASE (10)
26	Z2204	MEMBRANE V/VITE (20)	SELF BAILER DIAPH (P20)
27	Z2221	BOUCHON V/VITE EQ(10)	SELF BAILER BUNG (P10)
28	Z6087	PLAQUE MOTEUR PM 99	MOTOR MOUNTING PLATE S1
29	Z2042	PLAQUE MARTYRE VERNIE 12MM	WOODEN TRANSON PAD12MM WORNISH
30	Z60880	FILET TABLEAU BLANC	TRANSON NET WHITE
31	Z6001	CROCHET FIX. FILET TAB. (2)	HOOK TRANSON NET RETAIN (2)
32	Z2742	ATT AVIRON ZOD(10)	LOOPED SHOCKED CORD (P10)
33	Z3143	TASSEAU MULTIF GR-CL (10)	PLAST.FLOOR RETAINER GR10
EQUIPMENT STANDARD STANDART EQUIPMENT			
	Z60694	AVIRON TELESCOP.1M55 GR-CL (2)	OAR TELESC+RING 1M55 GREY (2)
	Z60865	GONFLEUR A PIED T304	FOOT PUMP INFLATOR T304
	Z6854	RACCORD VALVE ENCAST TUY/GONFL	COUPLING RECESSED VALVE
	Z60592	SAC GM SANS MARQ. POIG.JAUNE02	CARRY BAG LARGE W/O LOGO
	Z6107	KIT REPARATION WEST GRIS	REPAIR KIT WEST GREY FAB
	Z3018	MAN.PROP T1 GENERALITES	OWNERS MAN 1 GENERALTIE
	Z2329	NOTICE WEST MARINE 98	WEST MARINE MANUAL 98

Z24004 WM BY ZODIAC 4 SB 2006

N° 3452177B SAV

DJA - 20.06.06

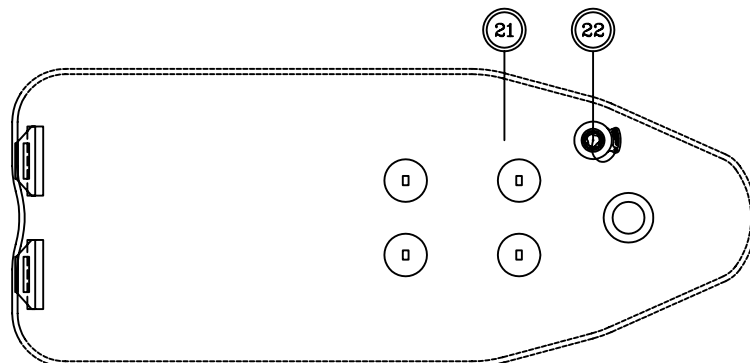
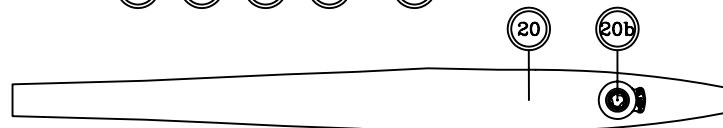
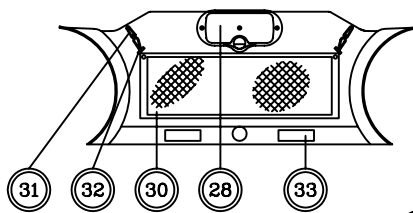
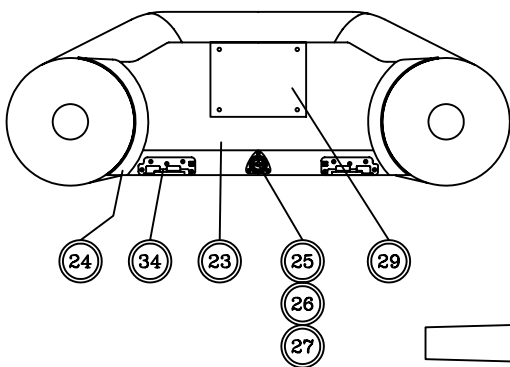
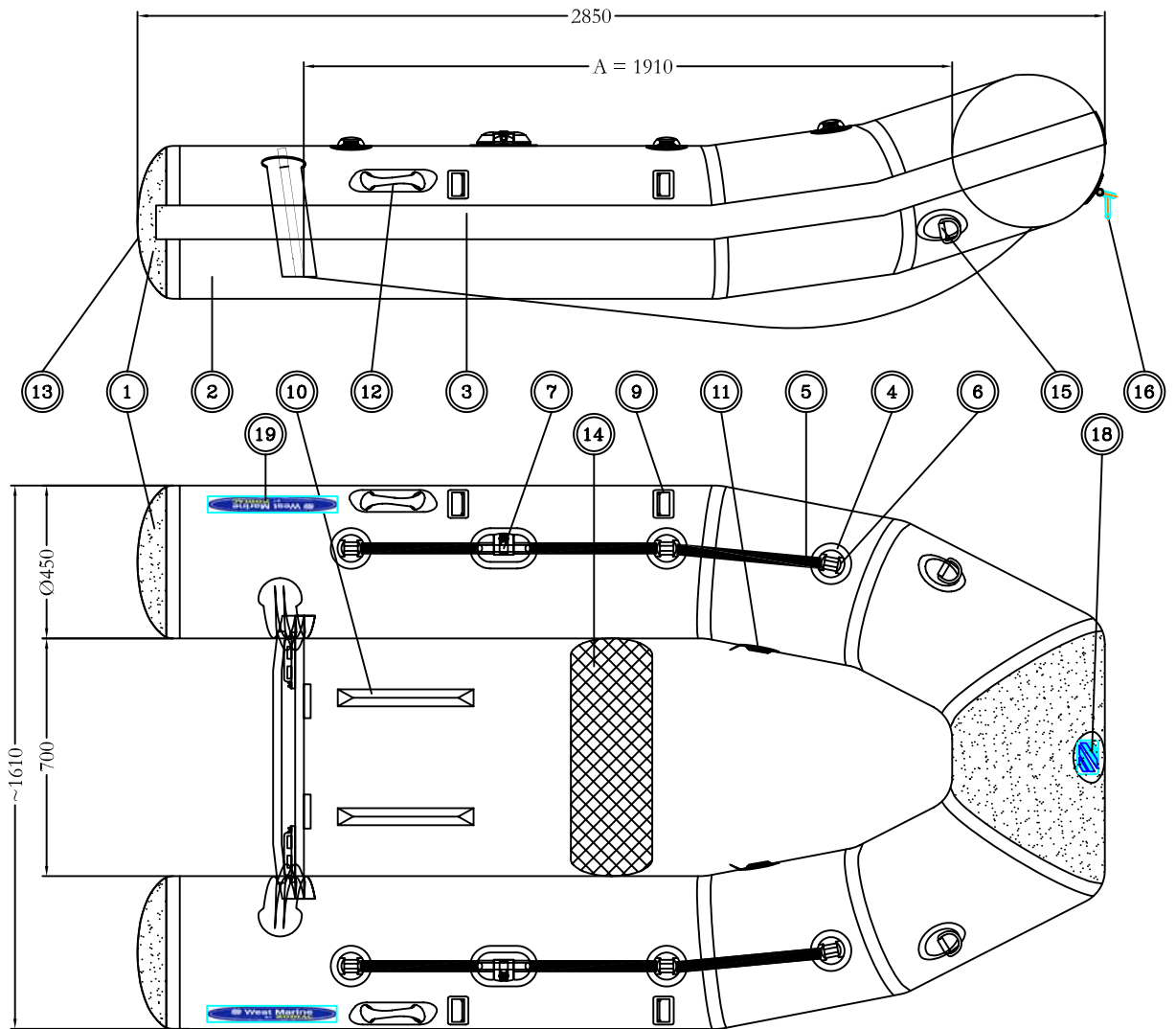


Z24004 WM BY ZODIAC 4 SB 2006				dja le 02,05,06
Rep.	Qty	PTN°	Description FR	Description GB
EQUIPMENT FLOTTEUR -- BUOYANCY TUBE EQUIPMENT				
1	M	Z7051	T/GRIS ZODIAC REPAR.(1ML)	MEDIUM GREY REPAIR FABRIC
2	M	Z7041	T/REPAR.950 GRIS CLAIR	LIGHT GREY REPAIR FABRIC
3	1	Z60886	DEF GR/BLANC/BLEU 8M	FENDER GR/WHITE/BLU 8M
4	4	Z6428	PAS.SANGL/DRISS.GR/CL.(1)	GREY STRAP 35MM (10M)
5	1	Z2893	SANGLE GRISE L35MM (10M)	MOULD.STRAP/ROPE HOLD 1GR
6	4	Z60143	VERROU SANGLE "T" GR. (4)	RETAINER FOR STRAP "T" GR (4)
7	2	Z60738	TOLET BLOQUEUR AVIRON GRIS (2)	OAR LOCK JUBILEE CLIP GREY (2)
7	2	Z60073	AXE DN BASC. 01 GR-CL (1)	AXE RECL.OAR 01 GREY (1)
7	2	Z2844	AN.AXE DAME BASCUL.GR(10)	RING F/RECL.OAR GREY PLAST.10
7	2	Z60075	EMBASE 01 DN BASC. GR-CL (1)	SUPPORT RECLINING OAR 01 GREY
7	2	Z60077	COQUILLE. 02 GR-CL DNB. (1)	SWIVEL RECLINING OAR 02 GREY
7	2	Z60078	BOUTON RESSORT DAME NAGE(2)	RETAINER FOR OAR SWIVEL 02 (2)
9	2	Z6144	KIT FIX PLQ IDENT GRIS WM	MOUNT.KIT INDENT.PLATE.GR
10	2	Z2758	PROFIL ANTI DERIVE GRIS 2	ANTI SKINDING FINNS 52°
11	2	Z60216	BOUCHON VIS VALVE ENC GR CL(5)	CAP THREAD RECES.VALVE(5)GREY
11	2	Z6851	JT BOUCHON V.E. (25)	GASKET/CAP RECESSED VALVE (25)
11	2	Z6852	JT ECROU V.E.(10)	GASKET/SCREW RECES.VALVE (10)
11	2	Z60055	SUPPORT CLAP. VALVE ENC.02(10)	RECESSED VALVE INSERT 2002(10)
11	2	Z60217	CORPS VALVE ENCASTREE GR CL(5)	BODY/SCREW.RECES.VALVE GR(5)
12	1	Z3077	PG LAT GAUCHE GRIS/CL 95	GREY CARR HD LEFT 95
12	1	Z3078	PG LAT DROITE GRIS/CL 95	GREY CARR HD RIGHT 95
13	2	Z60631	CONE 05 CALOTTE GR.MOYEN D201	CONE END 05-D201 MEDIUM GREY
14	1	Z60623	POLOCHON 650X300 GRI-CL	INFLAT.THWART LIGHT GR.650X300
15	2	Z60891	AD 42 ROND GRIS CLAIR (2)	D RING 42 LIGHT GREY FAB (1)
16	1	Z60093	PG AV RONDE GRI-ZODIAC	GB BOW HANDLE LIGHT GREY ROUND 03
18	1	Z60893	LOGO TR. W-M PM 06	LOGO TR. W-M SMALL 06
19	2	Z60894	LOGO TR.WM GM 06	LOGO TR. W-M LARGE 06
QUILLE & VALVE -- INFLATABLE KEEL				
20	1	Z60581	QUILLE CADET 285 05	KEEL CADET 285 05
20b	3	Z2846	BOUCHON CLAPET DELRIN(10)	CAP BLACK VALVE (P10)
20b	3	Z2847	CORPS CLAPET DELRIN(10)	DELRIN BLACK VALVE (P10)
20b	3	Z3292	ECROU EMB DELRIN(10)	DELRIN COLLAR NUT (10)
20b	3	Z3293	ROND EMB DELRIN(10)	GASKET INSERT DELRIN BASE
20b	3	Z3001	JT NEO.EMBASE CLAPET(25)	GASKET INSERT BASE NEOPRE (25)
20b	3	Z3294	EMB F.CARRE DELRIN(10)	DELRN VALV INSRT BASE(10)
PLANCHER --- WOODEN FLOOR				
21	1	Z60882	PLANCHER BOIS WM SB4-GR.ALU 06	WOODEN FLOOR WM SB4-ALU GR 06
21A	1	Z6452	LONGERON A RAIL 12X900	STRINGER W RAIL 12X900
21B	1	Z3343	BOUCHON LONG RAIL 12MM 5D5G	CAP STR W RAIL 12MM 5R5L
21C	1	Z6902	PROF.ALU.9X640MM PL.BOIS (1)	H PROF.ALU/9X640 WOOD.FL1
TABLEAU -- TRANSOM				
23	1	Z3224	TABLEAU T3 R97 B GRIS-ZOD	TRANSOM S3 MEDIUM GREY
24	2	Z3327	GLISSIERE TABLEAU GRISE (1)	TRANSOM BRACKET (1) GREY
25	1	Z2218	EMBASE V/VITE EQUIPE (10)	SELF BAILER BASE (10)
26	1	Z2204	MEMBRANE V/VITE (20)	SELF BAILER DIAPH (P20)
27	1	Z2221	BOUCHON V/VITE EQ(10)	SELF BAILER BUNG (P10)
28	1	Z6087	PLAQUE MOTEUR PM 99	MOTOR MOUNTING PLATE S1
29	1	Z2042	PLAQUE MARTYRE VERNIE 12MM	WOODEN TRANSOM PAD12MM WARNISH
30	2	Z60880	FILET TABLEAU BLANC	TRANSOM NET WHITE
31	2	Z6001	CROCHET FIX. FILET TAB. (2)	HOOK TRANSOM NET RETAIN (2)
32	1	Z2742	ATT AVIRON ZOD(10)	LOOPED SHOCKED CORD (P10)
33	2	Z3143	TASSEAU MULTIF GR-CL (10)	PLAST.FLOOR RETAINER GR10
34	1	Z60711	PRE-EQUIPEMENT FLAP GRIS CL.05	PRE-EQUIPMENT FLAP GREY 05 SET
EQUIPMENT STANDARD STANDART EQUIPMENT				
2		Z60694	AVIRON TELESCOP.1M55 GR-CL (2)	OAR TELESC+RING 1M55 GREY (2)
1		Z60865	GONFLEUR A PIED T304	FOOT PUMP INFLATOR T304
1		Z6854	RACCORD VALVE ENCAST TUY/GONFL	COUPLING RECESSED VALVE
1		Z60592	SAC GM SANS MARQ. POIG.JAUNE02	CARRY BAG LARGE W/O LOGO
1		Z6107	KIT REPARATION WEST GRIS	REPAIR KIT WEST GREY FAB
1		Z3018	MAN.PROP T1 GENERALITES	OWNERS MAN 1 GENERALTIE
1		Z2329	NOTICE WEST MARINE 98	WEST MARINE MANUAL 98

Z24002 WM BY ZODIAC 4 HP 2006

N° 3452175A SAV

DJA - 20.06.06

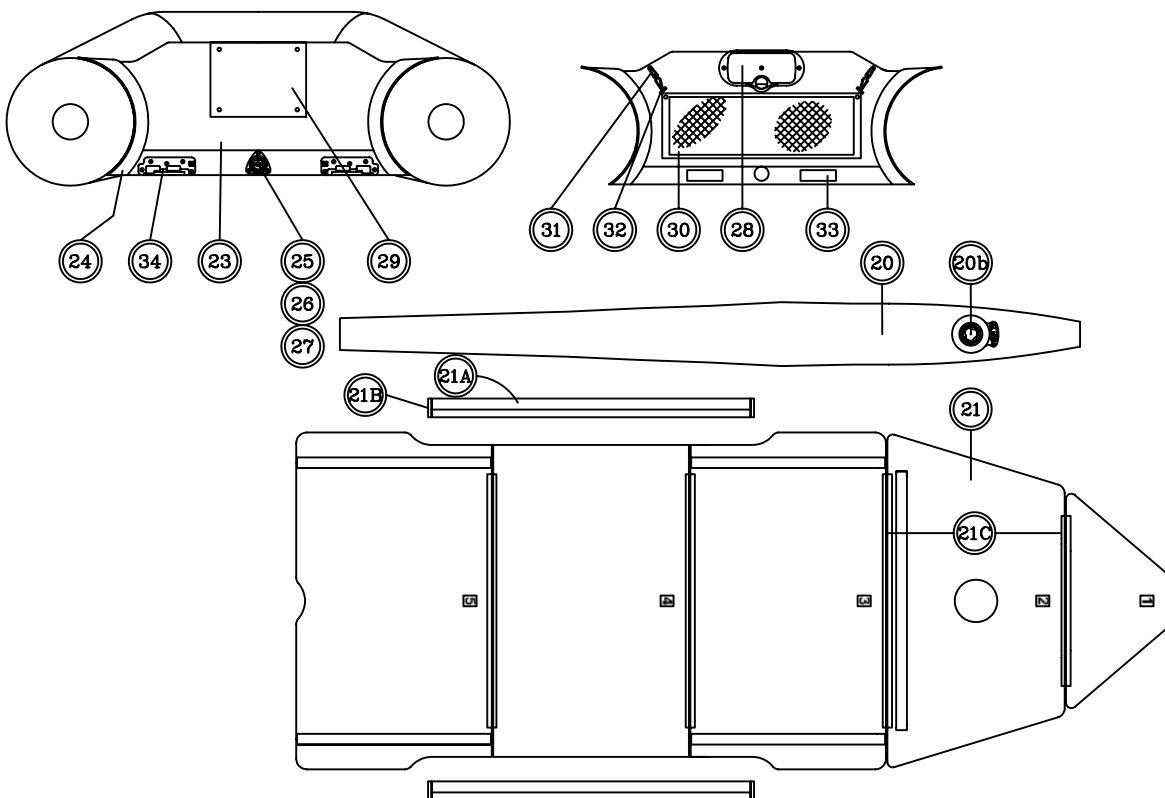
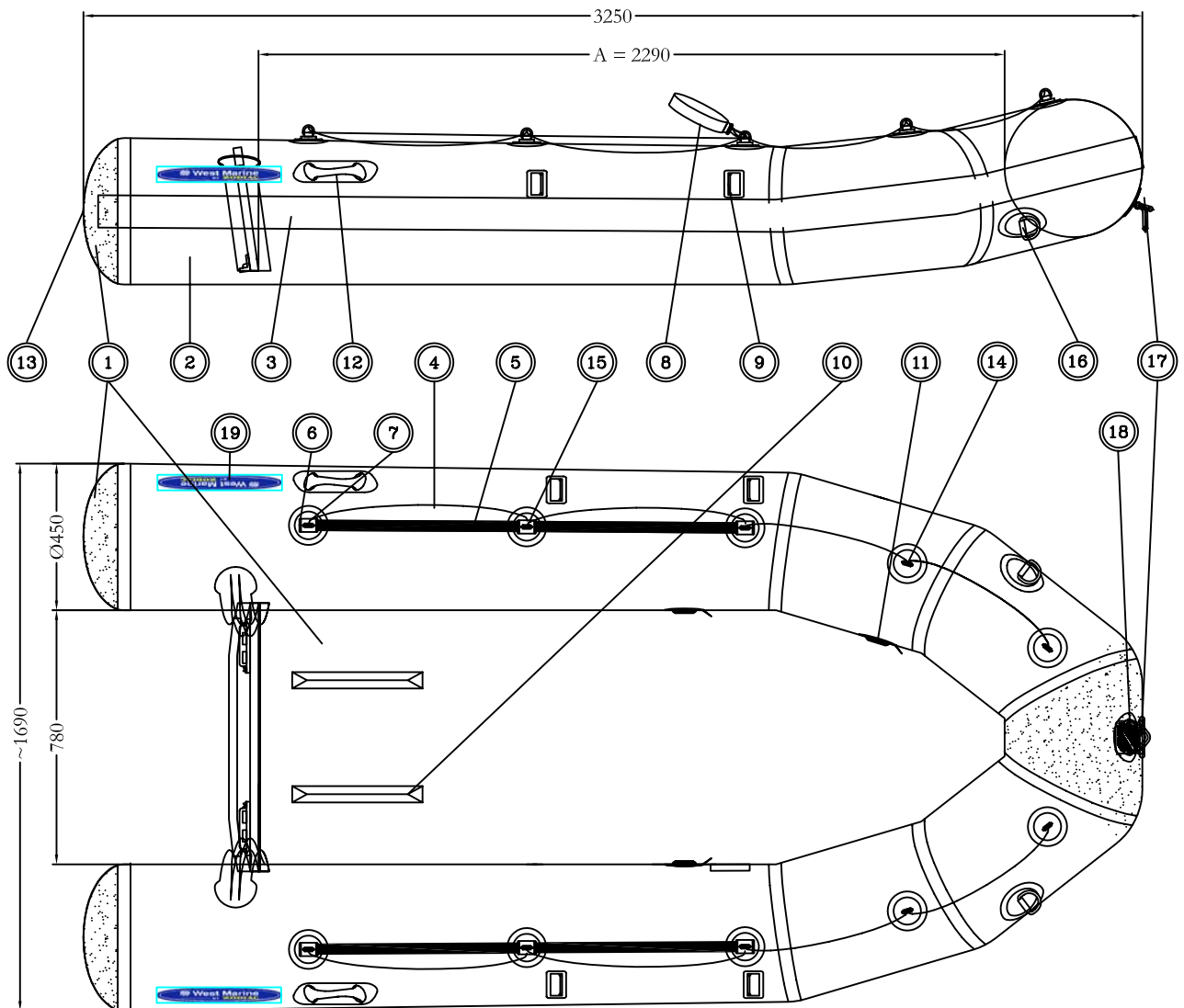


Z24002 WM BY ZODIAC 4 HP 2006				dja le 02,05,06
Rep.	Qty	PTN°	Description FR	Description GB
EQUIPMENT FLOTTEUR -- BUOYANCY TUBE EQUIPMENT				
1	M	Z7051	T/GRIS ZODIAC REPAR.(1ML)	MEDIUM GREY REPAIR FABRIC
2	M	Z7041	T/REPAR.950 GRIS CLAIR	LIGHT GREY REPAIR FABRIC
3	1	Z60886	DEF GR/BLANC/BLEU 8M	FENDER GR/WHITE/BLU 8M
4	4	Z6428	PAS.SANGL/DRISS.GR/CL.(1)	GREY STRAP 35MM (10M)
5	1	Z2893	SANGLE GRISE L35MM (10M)	MOULD.STRAP/ROPE HOLD 1GR
6	4	Z60143	VERROU SANGLE "T" GR. (4)	RETAINER FOR STRAP "T" GR (4)
7	2	Z60738	TOLET BLOQUEUR AVIRON GRIS (2)	OAR LOCK JUBILEE CLIP GREY (2)
7	2	Z60073	AXE DN BASC. 01 GR-CL (1)	AXE RECL.OAR 01 GREY (1)
7	2	Z2844	AN.AXE DAME BASCUL.GR(10)	RING F/RECL.OAR GREY PLAST.10
7	2	Z60075	EMBASE 01 DN BASC. GR-CL (1)	SUPPORT RECLINING OAR 01 GREY
7	2	Z60077	COQUILLE. 02 GR-CL DNB. (1)	SWIVEL RECLINING OAR 02 GREY
7	2	Z60078	BOUTON RESSORT DAME NAGE(2)	RETAINER FOR OAR SWIVEL 02 (2)
9	2	Z6144	KIT FIX PLQ IDENT GRIS WM	MOUNT.KIT INDENT.PLATE.GR
10	2	Z2758	PROFIL ANTI DERIVE GRIS 2	ANTI SKINDING FINNS 52°
11	2	Z60216	BOUCHON VIS VALVE ENC GR CL(5)	CAP THREAD RECES.VALVE(5)GREY
11	2	Z6851	JT BOUCHON V.E. (25)	GASKET/CAP RECESSED VALVE (25)
11	2	Z6852	JT ECROU V.E.(10)	GASKET/SCREW RECES.VALVE (10)
11	2	Z60055	SUPPORT CLAP. VALVE ENC.02(10)	RECESSED VALVE INSERT 2002(10)
11	2	Z60217	CORPS VALVE ENCASTREE GR CL(5)	BODY/SCREW.RECES.VALVE GR(5)
12	1	Z3077	PG LAT GAUCHE GRIS/CL 95	GREY CARR HD LEFT 95
12	1	Z3078	PG LAT DROITE GRIS/CL 95	GREY CARR HD RIGHT 95
13	2	Z60631	CONE 05 CALOTTE GR.MOYEN D201	CONE END 05-D201 MEDIUM GREY
14	1	Z60623	POLOCHON 650X300 GRI-CL	INFLAT.THWART LIGHT GR.650X300
15	2	Z60891	AD 42 ROND GRIS CLAIR (2)	D RING 42 LIGHT GREY FAB (1)
16	1	Z60093	PG AV RONDE GRI-ZODIAC	GB BOW HANDLE LIGHT GREY ROUND 03
18	1	Z60893	LOGO TR. W-M PM 06	LOGO TR. W-M SMALL 06
19	2	Z60894	LOGO TR.WM GM 06	LOGO TR. W-M LARGE 06
QUILLE & VALVE -- INFLATABLE KEEL				
20	1	Z60581	QUILLE CADET 285 05	KEEL CADET 285 05
20b	3	Z2846	BOUCHON CLAPET DELRIN(10)	CAP BLACK VALVE (P10)
20b	3	Z2847	CORPS CLAPET DELRIN(10)	DELRIN BLACK VALVE (P10)
20b	3	Z3292	ECROU EMB DELRIN(10)	DELRIN COLLAR NUT (10)
20b	3	Z3293	ROND EMB DELRIN(10)	GASKET INSERT DELRIN BASE
20b	3	Z3001	JT NEO.EMBASE CLAPET(25)	GASKET INSERT BASE NEOPRE (25)
20b	3	Z3294	EMB F.CARRE DELRIN(10)	DELRN VALV INSRT BASE(10)
PLANCHER H2P -- H2P FLOOR				
21	1	Z60884	PLANCHER WM 4HP 06 285 50MM	AIR FLOOR WM 4HP 06 285 50MM
22	1	Z2846	BOUCHON CLAPET DELRIN(10)	CAP BLACK VALVE (P10)
22	1	Z2847	CORPS CLAPET DELRIN(10)	DELRIN BLACK VALVE (P10)
22	1	Z2233	ECROU EMBASE (10)	NUT VALVE INSERT BASE (P10)
22	1	Z2234	RONDELLE EMBASE (10)	GASKET VALVE INSERT BASE (P10)
22	1	Z3001	JT NEO.EMBASE CLAPET(25)	GASKET INSERT BASE NEOPRE (25)
22	1	Z2232	EMBASE CLAPET (10)	VALVE INSERT BASE (P10)
TABLEAU -- TRANSOM				
23	1	Z3224	TABLEAU T3 R97 B GRIS-ZOD	TRANSOM S3 MEDIUM GREY
24	2	Z3327	GLISSIERE TABLEAU GRISE (1)	TRANSOM BRACKET (1) GREY
25	1	Z2218	EMBASE V/VITE EQUIPE (10)	SELF BAILER BASE (10)
26	1	Z2204	MEMBRANE V/VITE (20)	SELF BAILER DIAPH (P20)
27	1	Z2221	BOUCHON V/VITE EQ(10)	SELF BAILER BUNG (P10)
28	1	Z6087	PLAQUE MOTEUR PM 99	MOTOR MOUNTING PLATE S1
29	1	Z2042	PLAQUE MARTYRE VERNIE 12MM	WOODEN TRANSOM PAD12MM WARNISH
30	2	Z60880	FILET TABLEAU BLANC	TRANSOM NET WHITE
31	2	Z6001	CROCHET FIX. FILET TAB. (2)	HOOK TRANSOM NET RETAIN (2)
32	1	Z2742	ATT AVIRON ZOD(10)	LOOPED SHOCKED CORD (P10)
33	2	Z3143	TASSEAU MULTIF GR-CL (10)	PLAST.FLOOR RETAINER GR10
34	1	Z60711	PRE-EQUIPEMENT FLAP GRIS CL.05	PRE-EQUIPMENT FLAP GREY 05 SET
EQUIPMENT STANDARD STANDART EQUIPMENT				
	2	Z60694	AVIRON TELESCOP.1M55 GR-CL (2)	OAR TELESC+RING 1M55 GREY (2)
	1	Z60051	GONFLEUR BRAVO 5 HP + MANO	H2P FOOT PUMP+AIR PRESS.GAUGE
	1	Z60045	TUYAU GONFLEUR H2P ANNEXE	HOSE F/TENDER H2P FOOT PUMP
	1	Z6854	RACCORD VALVE ENCAST TUY/GONFL	COUPLING RECESSED VALVE
	1	Z2274	MANOMETRE GONFLEUR 2197	PRESSUR/MANOMET.2197 PUMP
	1	Z60592	SAC GM SANS MARQ. POIG.JAUNE02	CARRY BAG LARGE W/O LOGO
	1	Z6107	KIT REPARATION WEST GRIS	REPAIR KIT WEST GREY FAB
	1	Z3018	MAN.PROP T1 GENERALITES	OWNERS MAN 1 GENERALTIE
	1	Z2329	NOTICE WEST MARINE 98	WEST MARINE MANUAL 98

Z24005 WM BY ZODIAC 5 SB 2006

N° 3452178A SAV

DJA - 20.06.06

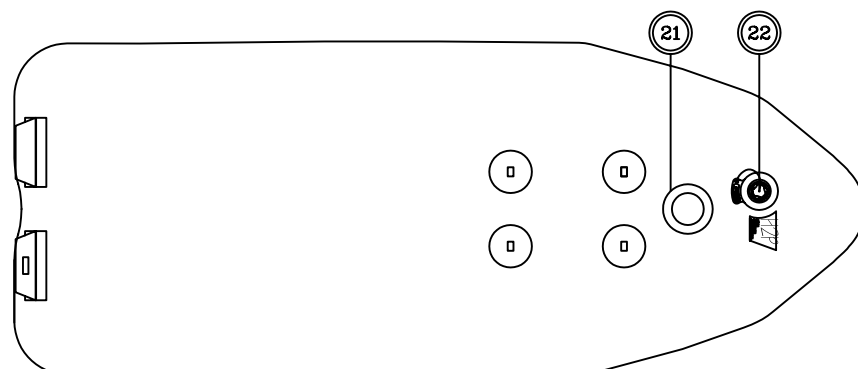
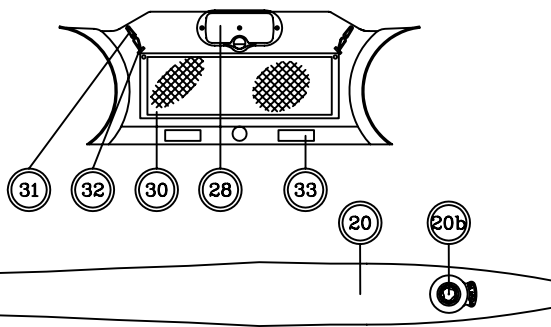
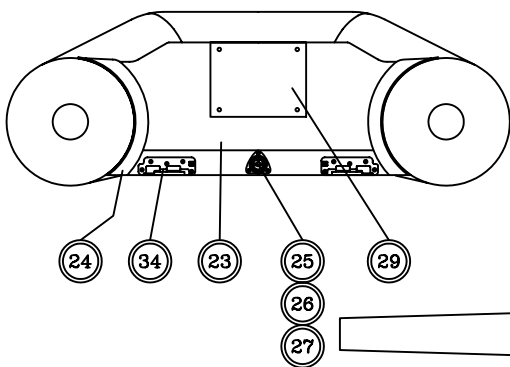
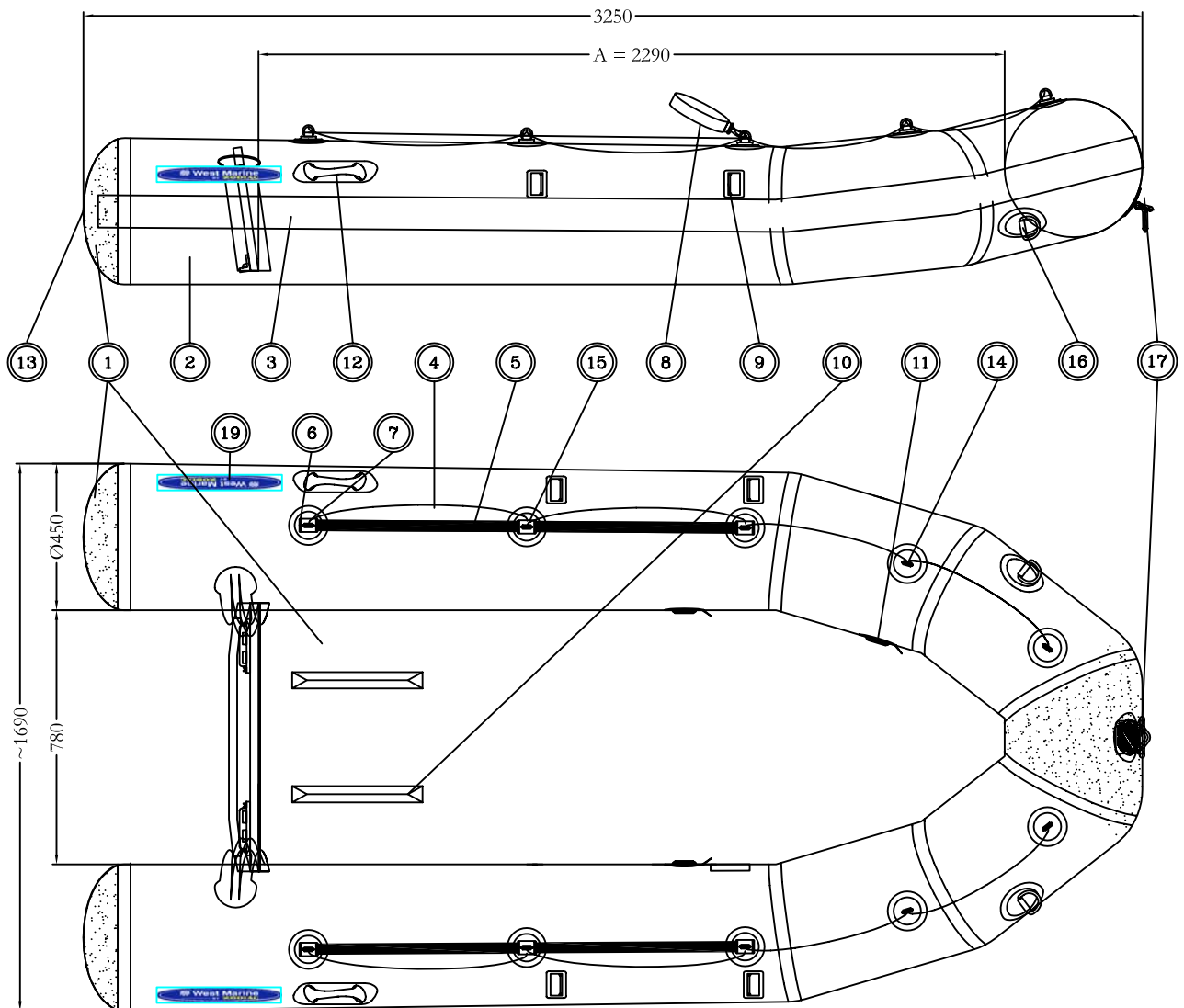


Z24005 WM BY ZODIAC 5 SB 2006				dja le 02,05,06
Rep.	Qty	PTN°	Description FR	Description GB
EQUIPMENT FLOTTEUR -- BUOYANCY TUBE EQUIPMENT				
1	M	Z7051	T/GRIS ZODIAC REPAR.(1ML)	MEDIUM GREY REPAIR FABRIC
2	M	Z7041	T/REPAR.950 GRIS CLAIR	LIGHT GREY REPAIR FABRIC
3	1	Z60886	DEF GR/BLANC/BLEU 8M	FENDER GR/WHITE/BLU 8M
4	4	Z60889	DRISSE TRES.16 BLEU NAVY 10M	HANDLE F/SAFETY STRAP GREY (2)
5	M	Z2893	SANGLE GRISE L35MM (10M)	GREY STRAP 35MM (10M)
6	4	Z2909	VERROU SANGLE MOD.97 (2)	STRAP BLOCK BLK.MOD.97(2)
7	1	Z60896	GAINE RETRACTABLE+4 COLLIERS	CLAMPS (4) + SHEATH ROPE SET
8	2	Z60890	POIGNEE PILOTE (1)	PILOTE HANDLE (1)
9	2	Z6144	KIT FIX PLQ IDENT GRIS WM	MOUNT.KIT IDENT.PLATE.GR
10	2	Z2758	PROFIL ANTI DERIVE GRIS 2	ANTI SKINDING FINS 52°
11	2	Z60216	BOUCHON VIS VALVE ENC GR CL(5)	CAP THREAD RECES.VALVE(5)GREY
11	2	Z6851	JT BOUCHON V.E. (25)	GASKET/CAP RECESSED VALVE (25)
11	2	Z6852	JT ECROU V.E.(10)	GASKET/SCREW RECES.VALVE (10)
11	2	Z60055	SUPPORT CLAP. VALVE ENC.02(10)	RECESSED VALVE INSERT 2002(10)
11	2	Z60217	CORPS VALVE ENCASTREE GR CL(5)	BODY/SCREW.RECES.VALVE GR(5)
12	1	Z3077	PG LAT GAUCHE GRIS/CL 95	GREY CARR HD LEFT 95
12	1	Z3078	PG LAT DROITE GRIS/CL 95	GREY CARR HD RIGHT 95
13	2	Z60631	CONE 05 CALOTTE GR.MOYEN D201	CONE END 05-D201 MEDIUM GREY
14	4	Z6179	AD 25 ROND GRIS CLAIR (1)	D RING 25 ROUND LI/GREY (1)
15	6	Z3624	PAS.SANGLE AD25 GRIS CL. (5)	D RING 53MM ROUND WHITE (5)
16	2	Z60891	AD 42 ROND GRIS CLAIR (2)	D RING 42 LIGHT GREY FAB (1)
17	1	Z60093	PG AV RONDE GRI-ZODIAC	GB BOW HANDLE LIGHT GREY ROUND 03
18	1	Z60893	LOGO TR. W-M PM 06	LOGO TR. W-M SMALL 06
19	2	Z60894	LOGO TR.WM GM 06	LOGO TR. W-M LARGE 06
QUILLE & VALVE -- INFLATABLE KEEL				
20	1	Z60583	QUILLE CADET 340 05	KEEL CADET 340 05
20b	3	Z2846	BOUCHON CLAPET DELRIN(10)	CAP BLACK VALVE (P10)
20b	3	Z2847	CORPS CLAPET DELRIN(10)	DELRIN BLACK VALVE (P10)
20b	3	Z3292	ECROU EMB DELRIN(10)	DELRIN COLLAR NUT (10)
20b	3	Z3293	ROND EMB DELRIN(10)	GASKET INSERT DELRIN BASE
20b	3	Z3001	JT NEO.EMBASE CLAPET(25)	GASKET INSERT BASE NEOPRE (25)
20b	3	Z3294	EMB F.CARRE DELRIN(10)	DELRN VALV INSRT BASE(10)
PLANCHER --- WOODEN FLOOR				
21	1	Z60883	PLANCHER BOIS WM SB5-GR.ALU 06	WOODEN FLOOR WM SB4-ALU GR 06
21A	1	Z6452	LONGERON A RAIL 12X900	STRINGER W RAIL 12X900
21B	1	Z3343	BOUCHON LONG RAIL 12MM 5D5G	CAP STR W RAIL 12MM 5R5L
21C	1	Z6903	PROF.ALU 12X715MM P.BOIS (1)	H PROF.AL/12X715 WOOD/FL1
TABLEAU -- TRANSOM				
23	1	Z60460	TABLEAU T5 R00 GRIS-ZOD	TRANSOM S5 R00 Z GREY
24	2	Z3327	GLISSIERE TABLEAU GRISE (1)	TRANSOM BRACKET (1) GREY
25	1	Z2218	EMBASE V/VITE EQUIPE (10)	SELF BAILER BASE (10)
26	1	Z2204	MEMBRANE V/VITE (20)	SELF BAILER DIAPH (P20)
27	1	Z2221	BOUCHON V/VITE EQ(10)	SELF BAILER BUNG (P10)
28	1	Z6088	PLAQUE MOTEUR GM 99	MOTOR MOUNTING PLATE S2
29	1	Z2042	PLAQUE MARTYRE VERNIE 12MM	WOODEN TRANSOM PAD12MM WARNISH
30	2	Z60880	FILET TABLEAU BLANC	TRANSOM NET WHITE
31	2	Z6001	CROCHET FIX. FILET TAB. (2)	HOOK TRANSOM NET RETAIN (2)
32	1	Z2742	ATT AVIRON ZOD(10)	LOOPED SHOCKED CORD (P10)
33	2	Z3143	TASSEAU MULTIF GR-CL (10)	PLAST.FLOOR RETAINER GR10
34	1	Z60711	PRE-EQUIPEMENT FLAP GRIS CL.05	PRE-EQUIPMENT FLAP GREY 05 SET
EQUIPMENT STANDARD STANDART EQUIPMENT				
2		Z60866	PAGAIE GRIS TEDESC.L1.20 (2)	GREY OAR TEDESC.L1.20 (2)
1		Z60865	GONFLEUR A PIED T304	FOOT PUMP INFLATOR T304
1		Z6854	RACCORD VALVE ENCAST TUY/GONFL	COUPLING RECESSED VALVE
1		Z60592	SAC GM SANS MARQ. POIG.JAUNE02	CARRY BAG LARGE W/O LOGO
1		Z6107	KIT REPARATION WEST GRIS	REPAIR KIT WEST GREY FAB
1		Z3018	MAN.PROP T1 GENERALITES	OWNERS MAN 1 GENERALTIE
1		Z2329	NOTICE WEST MARINE 98	WEST MARINE MANUAL 98

Z24003 WM BY ZODIAC 5 HP 2006

N° 3452176A SAV

DJA - 20.06.06

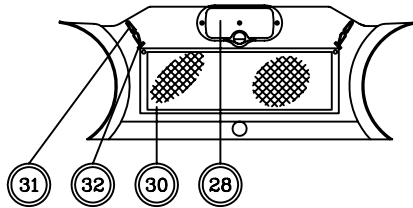
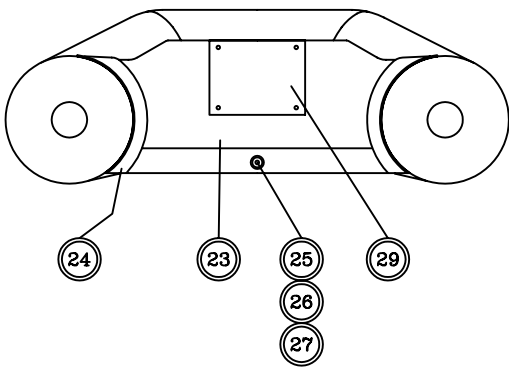
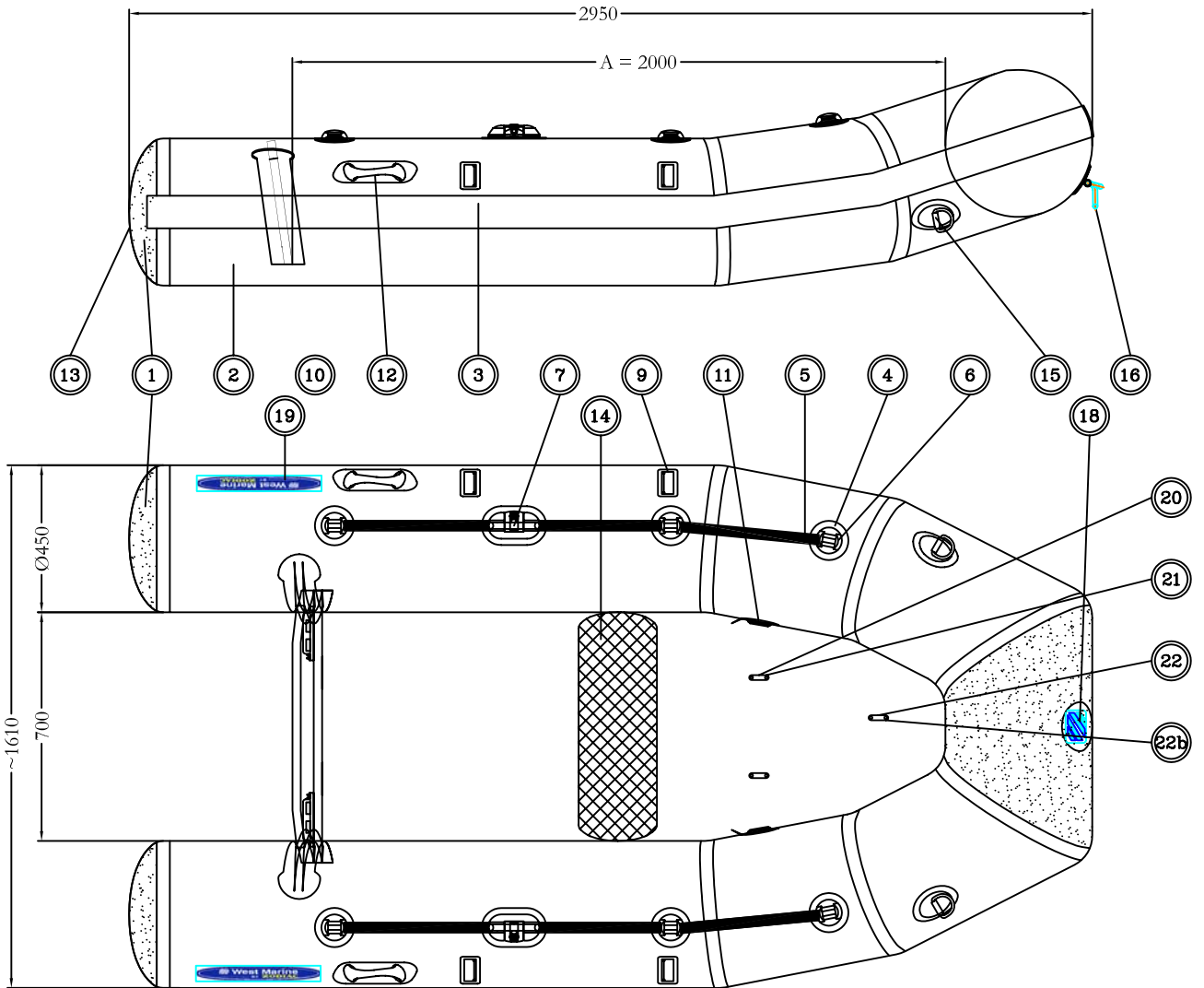


Z24003 WM BY ZODIAC 5 HP 2006				dja le 02,05,06
Rep.	Qty	PTN°	Description FR	Description GB
EQUIPMENT FLOTTEUR -- BUOYANCY TUBE EQUIPMENT				
1	M	Z7051	T/GRIS ZODIAC REPAR.(1ML)	MEDIUM GREY REPAIR FABRIC
2	M	Z7041	T/REPAR.950 GRIS CLAIR	LIGHT GREY REPAIR FABRIC
3	1	Z60886	DEFENSE 100LGris - Blanc - Bleu	DEF GR.M/JAU/BLEU/JA/GR.M 8M
4	4	Z60889	DRISSE TRES.16 BLEU NAVY 10M	HANDLE F/SAFETY STRAP GREY (2)
5	M	Z2893	SANGLE GRISE L35MM (10M)	GREY STRAP 35MM (10M)
6	4	Z2909	VERROU SANGLE MOD.97 (2)	STRAP BLOCK BLK.MOD.97(2)
7	1	Z60896	GAINE RETRACTABLE+4 COLLIERS	CLAMPS (4) + SHEATH ROPE SET
8	2	Z60890	POIGNEE PILOTE (1)	PILOTE HANDLE (1)
9	2	Z6144	KIT FIX PLQ IDENT GRIS WM	MOUNT.KIT IDENT.PLATE.GR
10	2	Z2758	PROFIL ANTI DERIVE GRIS 2	ANTI SKINDING FINS 52°
11	2	Z60216	BOUCHON VIS VALVE ENC GR CL(5)	CAP THREAD RECES.VALVE(5)GREY
11	2	Z6851	JT BOUCHON V.E. (25)	GASKET/CAP RECESSED VALVE (25)
11	2	Z6852	JT ECROU V.E.(10)	GASKET/SCREW RECES.VALVE (10)
11	2	Z60055	SUPPORT CLAP. VALVE ENC.02(10)	RECESSED VALVE INSERT 2002(10)
11	2	Z60217	CORPS VALVE ENCASTREE GR CL(5)	BODY/SCREW.RECES.VALVE GR(5)
12	1	Z3077	PG LAT GAUCHE GRIS/CL 95	GREY CARR HD LEFT 95
12	1	Z3078	PG LAT DROITE GRIS/CL 95	GREY CARR HD RIGHT 95
13	2	Z60631	CONE 05 CALOTTE GR.MOYEN D201	CONE END 05-D201 MEDIUM GREY
14	4	Z6179	AD 25 ROND GRIS CLAIR (1)	D RING 25 ROUND LI/GREY (1)
15	6	Z3624	PAS.SANGLE AD25 GRIS CL. (5)	D RING 53MM ROUND WHITE (5)
16	2	Z60891	AD 42 ROND GRIS CLAIR (2)	D RING 42 LIGHT GREY FAB (1)
17	1	Z60093	PG AV RONDE GRI-ZODIAC	GB BOW HANDLE LIGHT GREY ROUND 03
18	1	Z60893	LOGO TR. W-M PM 06	LOGO TR. W-M SMALL 06
19	2	Z60894	LOGO TR.WM GM 06	LOGO TR. W-M LARGE 06
QUILLE & VALVE -- INFLATABLE KEEL				
20	1	Z60583	QUILLE CADET 340 05	KEEL CADET 340 05
20b	3	Z2846	BOUCHON CLAPET DELRIN(10)	CAP BLACK VALVE (P10)
20b	3	Z2847	CORPS CLAPET DELRIN(10)	DELRIN BLACK VALVE (P10)
20b	3	Z3292	ECROU EMB DELRIN(10)	DELRIN COLLAR NUT (10)
20b	3	Z3293	ROND EMB DELRIN(10)	GASKET INSERT DELRIN BASE
20b	3	Z3001	JT NEO.EMBASE CLAPET(25)	GASKET INSERT BASE NEOPRE (25)
20b	3	Z3294	EMB F.CARRE DELRIN(10)	DELRN VALV INSRT BASE(10)
PLANCHER H2P -- H2P FLOOR				
21	1	Z60884	PLANCHER WM 5HP 06 325 50MM	AIR FLOOR 5HP 06 325 50MM
22	1	Z2846	BOUCHON CLAPET DELRIN(10)	CAP BLACK VALVE (P10)
22	1	Z2847	CORPS CLAPET DELRIN(10)	DELRIN BLACK VALVE (P10)
22	1	Z2233	ECROU EMBASE (10)	NUT VALVE INSERT BASE (P10)
22	1	Z2234	RONDELLE EMBASE (10)	GASKET VALVE INSERT BASE (P10)
22	1	Z3001	JT NEO.EMBASE CLAPET(25)	GASKET INSERT BASE NEOPRE (25)
22	1	Z2232	EMBASE CLAPET (10)	VALVE INSERT BASE (P10)
TABLEAU -- TRANSOM				
23	1	Z60460	TABLEAU T5 R00 GRIS-ZOD	TRANSOM S5 R00 Z GREY
24	2	Z3327	GLISSIERE TABLEAU GRISE (1)	TRANSOM BRACKET (1) GREY
25	1	Z2218	EMBASE V/VITE EQUIPE (10)	SELF BAILER BASE (10)
26	1	Z2204	MEMBRANE V/VITE (20)	SELF BAILER DIAPH (P20)
27	1	Z2221	BOUCHON V/VITE EQ(10)	SELF BAILER BUNG (P10)
28	1	Z60888	PLAQUE MOTEUR GM 99	MOTOR MOUNTING PLATE S2
29	1	Z2042	PLAQUE MARTYRE VERNIE 12MM	WOODEN TRANSOM PAD12MM WARNISH
30	2	Z60880	FILET TABLEAU BLANC	TRANSOM NET WHITE
31	2	Z6001	CROCHET FIX. FILET TAB. (2)	HOOK TRANSOM NET RETAIN (2)
32	1	Z2742	ATT AVIRON ZOD(10)	LOOPED SHOCKED CORD (P10)
33	2	Z3143	TASSEAU MULTIF GR-CL (10)	PLAST.FLOOR RETAINER GR10
34	1	Z60711	PRE-EQUIPEMENT FLAP GRIS CL.05	PRE-EQUIPMENT FLAP GREY 05 SET
EQUIPMENT STANDARD STANDART EQUIPMENT				
	2	Z60866	PAGAIE GRIS TELESC.L1.20 (2)	GREY OAR TELESC.L1.20 (2)
	1	Z60051	GONFLEUR BRAVO 5 HP + MANO	H2P FOOT PUMP+AIR PRESS.GAUGE
	1	Z60045	TUYAU GONFLEUR H2P ANNEXE	HOSE F/TENDER H2P FOOT PUMP
	1	Z6854	RACCORD VALVE ENCAST TUY/GONFL	COUPLING RECESSED VALVE
	1	Z2274	MANOMETRE GONFLEUR 2197	PRESSUR/MANOMET.2197 PUMP
	1	Z60592	SAC GM SANS MARQ. POIG.JAUNE02	CARRY BAG LARGE W/O LOGO
	1	Z6107	KIT REPARATION WEST GRIS	REPAIR KIT WEST GREY FAB
	1	Z3018	MAN.PROP T1 GENERALITES	OWNERS MAN 1 GENERALTIE
	1	Z2329	NOTICE WEST MARINE 98	WEST MARINE MANUAL 98

Z24006 WM BY ZODIAC 4 COMPACT RIB 06

N° 3452179B SAV

DJA - 20.06.06



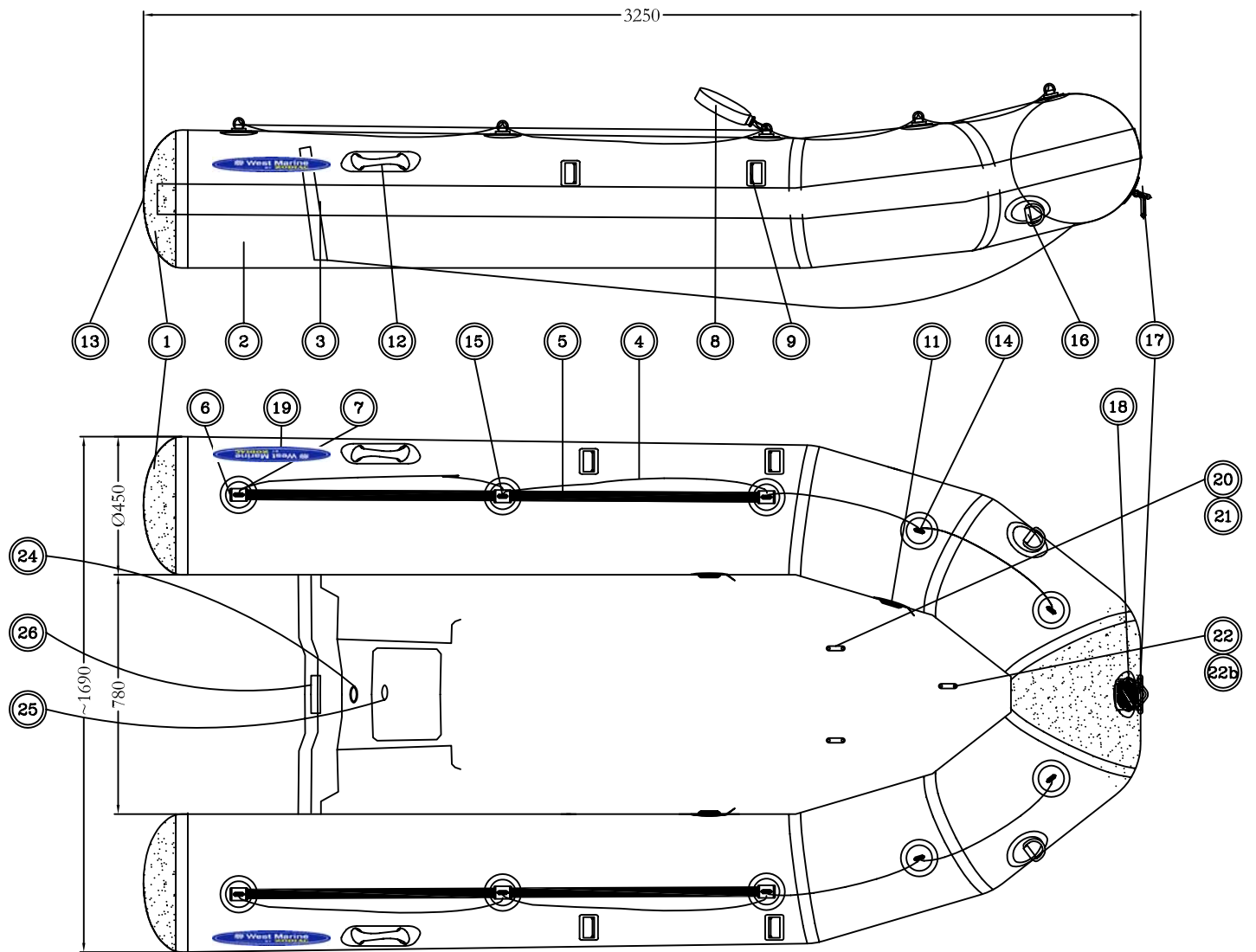
Z24006 WM BY ZODIAC 4 COMPACT RIB 06				dja le 13.06.06
Rep.	Qty	PTN°	Description FR	Description GB
EQUIPMENT FLOTTEUR -- BUOYANCY TUBE EQUIPMENT				
1	M	Z7051	T/GRIS ZODIAC REPAR.(1ML)	MEDIUM GREY REPAIR FABRIC
2	M	Z7041	T/REPAR.950 GRIS CLAIR	LIGHT GREY REPAIR FABRIC
3	1	Z60886	DEF GR/BLANC/BLEU 8M	FENDER GR/WHITE/BLU 8M
4	4	Z6428	PAS.SANGL/DRISS.GR/CL.(1)	GREY STRAP 35MM (10M)
5	1	Z2893	SANGLE GRISE L35MM (10M)	MOULD.STRAP/ROPE HOLD 1GR
6	4	Z60143	VERROU SANGLE "T" GR. (4)	RETAINER FOR STRAP "T" GR (4)
7	2	Z60738	TOLET BLOQUEUR AVIRON GRIS (2)	OAR LOCK JUBILEE CLIP GREY (2)
7	2	Z60073	AXE DN BASC. 01 GR-CL (1)	AXE RECL.OAR 01 GREY (1)
7	2	Z2844	AN.AXE DAME BASCUL.GR(10)	RING F/RECL.OAR GREY PLAST.10
7	2	Z60075	EMBASE 01 DN BASC. GR-CL (1)	SUPPORT RECLINING OAR 01 GREY
7	2	Z60077	COQUILLE. 02 GR-CL DNB. (1)	SWIVEL RECLINING OAR 02 GREY
7	2	Z60078	BOUTON RESSORT DAME NAGE(2)	RETAINER FOR OAR SWIVEL 02 (2)
9	2	Z6144	KIT FIX PLQ IDENT GRIS WM	MOUNT.KIT INDENT.PLATE.GR
11	2	Z60216	BOUCHON VIS VALVE ENC GR CL(5)	CAP THREAD RECES.VALVE(5)GREY
11	2	Z6851	JT BOUCHON V.E. (25)	GASKET/CAP RECESSED VALVE (25)
11	2	Z6852	JT ECROU V.E.(10)	GASKET/SCREW RECES.VALVE (10)
11	2	Z60055	SUPPORT CLAP. VALVE ENC.02(10)	RECESSED VALVE INSERT 2002(10)
11	2	Z60217	CORPS VALVE ENCASTREE GR CL(5)	BODY/SCREW.RECES.VALVE GR(5)
12	1	Z3077	PG LAT GAUCHE GRIS/CL 95	GREY CARR HD LEFT 95
12	1	Z3078	PG LAT DROITE GRIS/CL 95	GREY CARR HD RIGHT 95
13	2	Z60631	CONE 05 CALOTTE GR.MOYEN D201	CONE END 05-D201 MEDIUM GREY
14	1	Z60623	POLOCHON 650X300 GRI-CL	INFLAT.THWART LIGHT GR.650X300
15	2	Z60891	AD 42 ROND GRIS CLAIR (2)	D RING 42 LIGHT GREY FAB (1)
16	1	Z60093	PG AV RONDE GRI-ZODIAC	GB BOW HANDLE LIGHT GREY ROUND 03
18	1	Z60893	LOGO TR. W-M PM 06	LOGO TR. W-M SMALL 06
19	2	Z60894	LOGO TR.WM GM 06	LOGO TR. W-M LARGE 06
COQUE ----- HULL				
20	1	Z2903	SANGLE RESERVOIR+PONTET KIT	FUEL TANK STRAP + LOOP (SET)
21	?	Z60443	PONTET DE SANGLE (2)	PLASTIC LOOP (2) F/ STRAP
22	?	Z6740	ECROU A OEIL D 8 INO (10)	EYE BOLT D8 SS (10)
22b	1	Z7045	POINT LEVAGE AVANT (1 JEU)	EYE BOLT SET (BOW LIFT.POINT1)
TABLEAU ----- TRANSOM				
23	1	Z60895	TABLEAU W M 295 COMPACT GR-ZO	TRANSOM WM 295 COMPACT Z-GREY
24	2	Z3327	GLISSIERE TABLEAU GRISE (1)	TRANSOM BRACKET (1) GREY
25	1	Z2218	EMBASE V/VITE EQUIPE (10)	SELF BAILER BASE (10)
26	1	Z2204	MEMBRANE V/VITE (20)	SELF BAILER DIAPH (P20)
27	1	Z2221	BOUCHON V/VITE EQ(10)	SELF BAILER BUNG (P10)
28	1	Z6087	PLAQUE MOTEUR PM 99	MOTOR MOUNTING PLATE S1
29	1	Z2042	PLAQUE MARTYRE VERNIE 12MM	WOODEN TRANSOM PAD12MM WARNISH
30	2	Z60880	FILET TABLEAU BLANC	TRANSOM NET WHITE
31	2	Z6001	CROCHET FIX. FILET TAB. (2)	HOOK TRANSOM NET RETAIN (2)
32	1	Z2742	ATT AVIRON ZOD(10)	LOOPED SHOCKED CORD (P10)
EQUIPMENT STANDARD STANDART EQUIPMENT				
	2	Z60694	AVIRON TELESCOP.1M55 GR-CL (2)	OAR TELESC+RING 1M55 GREY (2)
	1	Z60865	GONFLEUR A PIED T304	FOOT PUMP INFLATOR T304
	1	Z6854	RACCORD VALVE ENCAST TUY/GONFL	COUPLING RECESSED VALVE
	1	Z60591	HOUSSE RIB 310 CPT S/LOGO	STORAGE BAG SR 310 W/O LOGO
	1	Z6107	KIT REPARATION WEST GRIS	REPAIR KIT WEST GREY FAB
	1	Z3018	MAN.PROP T1 GENERALITES	OWNERS MAN 1 GENERALTIE
	1	Z2329	NOTICE WEST MARINE 98	WEST MARINE MANUAL 98

Z24007

WM BY ZODIAC 5 RIB

N° 3452180A SAV

DJA - 20.06.06



Z24007		WM BY ZODIAC 5 RIB		dja le 13.06.06
Rep.	Qty	PTN°	Description FR	Description GB
EQUIPMENT FLOTTEUR -- BUOYANCY TUBE EQUIPMENT				
1	M	Z7051	T/GRIS ZODIAC REPAR.(1ML)	MEDIUM GREY REPAIR FABRIC
2	M	Z7041	T/REPAR.950 GRIS CLAIR	LIGHT GREY REPAIR FABRIC
3	1	Z60886	DEF GR/BLANC/BLEU 8M	FENDER GR/WHITE/BLU 8M
4	4	Z60889	DRISSE TRES.16 BLEU NAVY 10M	HANDLE F/SAFETY STRAP GREY (2)
5	M	Z2893	SANGLE GRISE L35MM (10M)	GREY STRAP 35MM (10M)
6	4	Z2909	VERROU SANGLE MOD.97 (2)	STRAP BLOCK BLK.MOD.97(2)
7	1	Z60896	GAINE RETRACTABLE+4 COLLIERS	CLAMPS (4) + SHEATH ROPE SET
8	2	Z60890	POIGNEE PILOTE (1)	PILOTE HANDLE (1)
9	2	Z6144	KIT FIX PLQ IDENT GRIS WM	MOUNT.KIT IDENT.PLATE.GR
11	2	Z60216	BOUCHON VIS VALVE ENC GR CL(5)	CAP THREAD RECES.VALVE(5)GREY
11	2	Z6851	JT BOUCHON V.E. (25)	GASKET/CAP RECESSED VALVE (25)
11	2	Z6852	JT ECROU V.E.(10)	GASKET/SCREW RECES.VALVE (10)
11	2	Z60055	SUPPORT CLAP. VALVE ENC.02(10)	RECESSED VALVE INSERT 2002(10)
11	2	Z60217	CORPS VALVE ENCASTREE GR CL(5)	BODY/SCREW.RECES.VALVE GR(5)
12	1	Z3077	PG LAT GAUCHE GRIS/CL 95	GREY CARR HD LEFT 95
12	1	Z3078	PG LAT DROITE GRIS/CL 95	GREY CARR HD RIGHT 95
13	2	Z60631	CONE 05 CALOTTE GR.MOYEN D201	CONE END 05-D201 MEDIUM GREY
14	4	Z6179	AD 25 ROND GRIS CLAIR (1)	D RING 25 ROUND LI/GREY (1)
15	6	Z3624	PAS.SANGLE AD25 GRIS CL. (5)	D RING 53MM ROUND WHITE (5)
16	2	Z2303	AD 53 ROND GRIS CLAIR (2)	D RING 53 ROUND L.GREY(2)
17	1	Z60093	PG AV RONDE GRI-ZODIAC	BOW HANDLE LIGHT GREY ROUND 03
18	1	Z60893	LOGO TR. W-M PM 06	LOGO TR. W-M SMALL 06
19	2	Z60894	LOGO TR.WM GM 06	LOGO TR. W-M LARGE 06
COQUE - HULL				
20	1	Z2903	SANGLE RESERVOIR+PONTET KIT	FUEL TANK STRAP + LOOP (SET)
21	1	Z60443	PONTET DE SANGLE (2)	PLASTIC LOOP (2) F/ STRAP
22	2	Z6740	ECROU A OEIL D 8 INO (10)	EYE BOLT D8 SS (10)
23	1	Z1488	CADENE ETANCHE NO.8X100 (1)	U-TYPE ATTACHMENT 8X100 1
TABLEAU ARRIERE /AFT TRANSOM ASSY				
24	1	Z1944	BOUCHON V.VIT YL1R/34.380DL	RIB SELF BAILER PLUG
24	1	Z1946	CLAPET VIDE-VITE S-R	RIB SELF BAILER DIAPHRAGM
24	1	Z1947	PASSE-COQUE V-VITE S-R(1)	RIB SELF BAILER THRU-HULL
25	1	Z2154	NABLE A VIS + MANCHON (1)KIT	DRAIN PLUG BLK SCREWED SET(1)
26	1	Z2217	PLAQUE SUP MOTEUR >15CV	O/B MOTOR MOUTING PLATE
EQUIPMENT STANDARD STANDART EQUIPMENT				
	2	Z60866	PAGAIE GRIS TELESC.L1.20 (2)	GREY OAR TELESC.L1.20 (2)
	1	Z60865	GONFLEUR A PIED T304	FOOT PUMP INFLATOR T304
	1	Z6854	RACCORD VALVE ENCAST TUY/GONFL	COUPLING RECESSED VALVE
	1	Z60592	SAC GM SANS MARQ. POIG.JAUNE02	CARRY BAG LARGE W/O LOGO
	1	Z6107	KIT REPARATION WEST GRIS	REPAIR KIT WEST GREY FAB
	1	Z3018	MAN.PROP T1 GENERALITES	OWNERS MAN 1 GENERALTIE
	1	Z2329	NOTICE WEST MARINE 98	WEST MARINE MANUAL 98