

product specifications for:

Straight Adapters

Item #: S30-15

Description

Straight Adapter 30A 125V Male Locking to 15A 125V Female Straight Blade with LED Power Indicator

Electrical Specifications

Max. Amperage: 15A
Max. Voltage: 125V

Material Specifications

Shell: Nylon
Contacts: Nickel-Plated Brass
Terminals: Nickel-Plated Brass
Terminal Screws: Nickel-Plated Brass
Plug Bodies: Nylon
Assembly Screws: Stainless Steel
Max. Temperature: 125°C

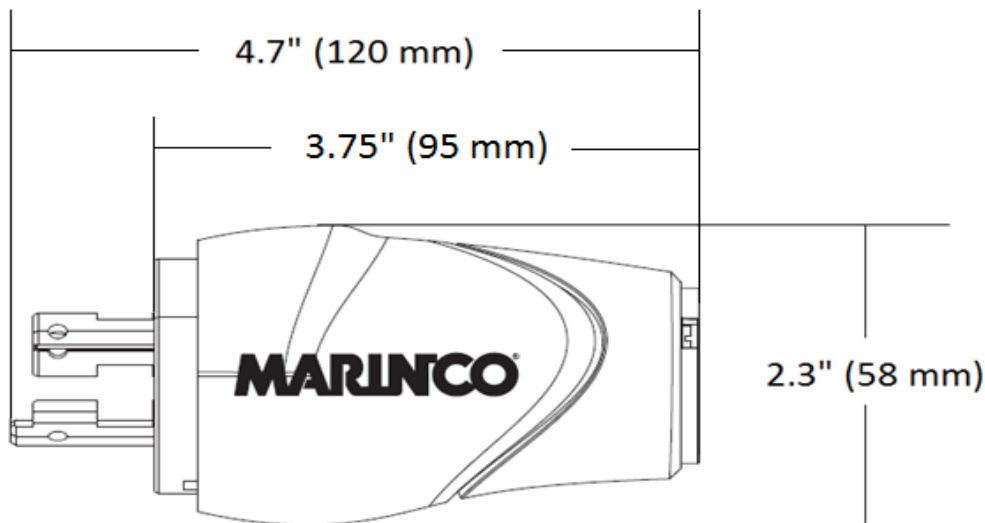
Mechanical Specification

Connection Type(s): NEMA 5-15R Straight Blade



Standards and Certifications

CSA Listed: File 081290_0_000



15 or 20A 125V
Straight Blade



30A 125V
Locking