

product specifications for:

Charger inlet

Item #: 150BBI

Description

Charger inlet, straight blade, dust resistant

Electrical Specifications

15 amperes, 125 volts, NEMA Configuration 5-15P

Material Specifications

Housing Material: Nylon

Contact Material: Brass

Cover: Molded flexible vinyl



Terminals

Brass, lug style, Perma-Lock™ design. Terminals visible through clear end cap.

Terminal Identification

Terminal screws are color coded. Ground wire entrance hot stamped green and marked "GR".

Line wire entrance hot stamped black.

Mechanical Specification

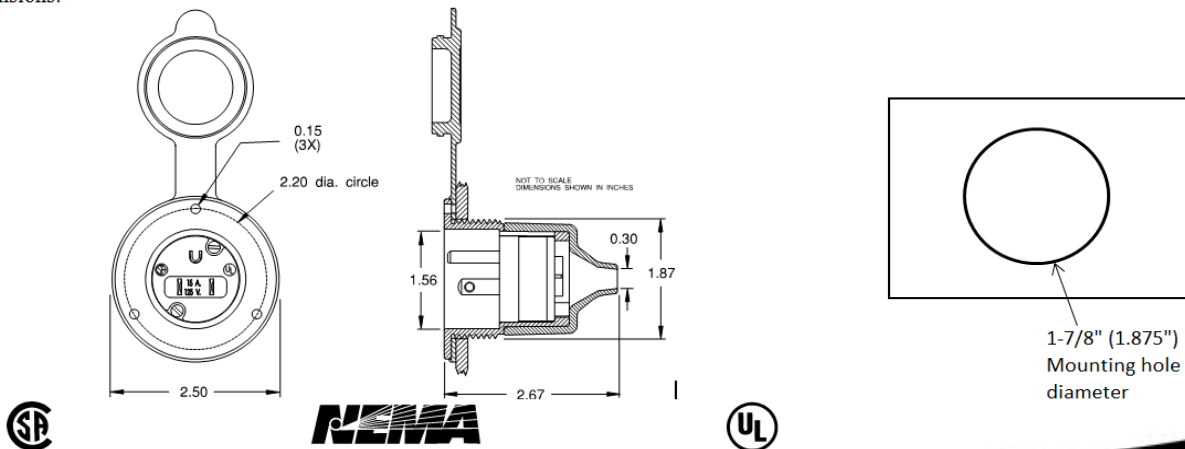
Overall Design: Either front mount by three #6 x 5/8 screws (provided) or rear mount by 1½" conduit locknut (provided).

Listings

UL listed, File E57672

CSA certified, File 81290_0_000

Dimensions:



Dimensions shown in inches.