

# attwood®

## Stainless Steel Flush Mount Fuel Vents

### Straight (66031) and 90° (66032)

#### Installation Instructions

SAVE THESE INSTRUCTIONS

Form Number 69401 Rev A

04-01

#### FUEL VENT FEATURES

The Attwood Stainless Steel Fuel Vent fulfills a USCG fuel system requirement — it vents *out* fuel vapors that could cause dangerous tank pressure and vents *in* air to displace consumed fuel. It has a smooth edge on the hull exterior so there is no protruding cap to break off or cause damage.

Vent screen can be cleaned easily from outside the hull without removing interior fasteners.

Vent is available in straight and 90° versions to adapt to hull interior conditions.

**These fuel vents are certified to meet domestic standards (U.S. Coast Guard and ABYC H-24) for recreational boats up to 20 meters (65.6 feet).**

#### ⚠ WARNING

Installers and users must abide by all ABYC and U.S. Coast Guard regulations for fuel system installation. More information is available at <http://www.abycinc.org/standards/>.

#### APPLICATION

- Installs into hull exterior and provides a splash-resistant thru-hull vent exchange.
- For hull thickness from .100" or 2.5mm (aluminum hulls) to 7/8" or 22mm.
- Designed to work on traditional tank vent systems with standard 5/8" I.D. (16mm) fuel vent hose

#### REQUIRED FOR INSTALLATION

- Pencil
- Cordless drill
- 1-3/8" (35mm) hole saw
- 3/16" (5mm) hex wrench
- Marine-quality silicone sealant
- 5/8" (16mm) I.D. fuel vent hose
- 2 stainless steel hose clamps

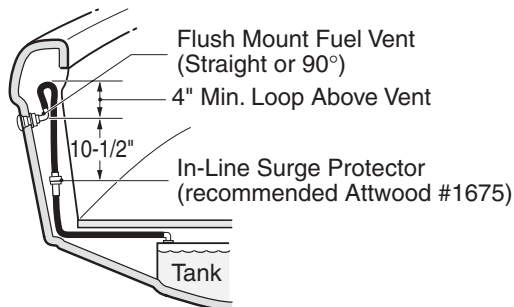
#### MOUNTING LOCATION

⚠ **CAUTION:** Fuel vent is not watertight. DO NOT mount where it can be below waterline at any time or is subject to severe water intrusion conditions (splashing or backwash).

1. Install fuel vent at a location where it is as high as possible above the water line, but low enough to allow for a 4" (100mm) minimum anti-siphon loop above the vent (Figure 1). Attwood recommends a 6" (152mm) loop where possible to minimize water intrusion into the fuel system during extreme conditions (especially wash downs).
2. Be sure there is adequate clearance inside hull to install and route vent hose to the tank.

⚠ **CAUTION:** This fuel vent does not prevent fuel line surges. It is recommended that you install an inline Surge Protector (Attwood No. 1675) between the vent and fuel tank (Figure 1).

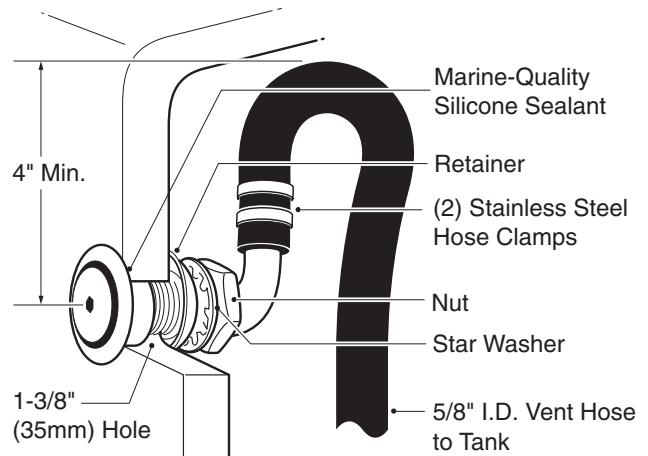
Figure 1



#### INSTALLATION INSTRUCTIONS

1. At selected location, carefully drill a 1-3/8" dia. (35mm) hole through hull (Figure 2).
2. Remove the nut, star washer and retainer from back of fuel vent. Set aside for reinstallation.
3. Apply a bead of marine-quality silicone sealant to underside of fuel vent flange.
4. From hull exterior, insert fuel vent through drilled hole.
5. From hull interior, reinstall retainer and star washer. Tighten nut but do not damage hull by overtightening.
6. Slip fuel vent hose (5/8" I.D. or 16mm) over barbed fitting. Fasten with 2 stainless hose clamps.
7. Attach vent hose to fuel tank according to tank manufacturer's instructions.

Figure 2



#### MAINTENANCE

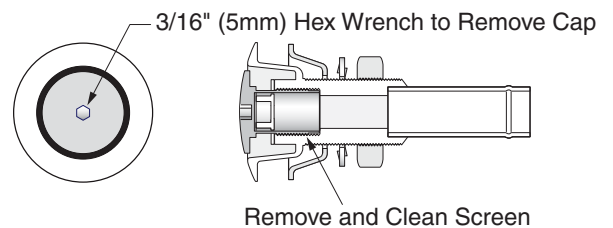
You will know the vent needs maintenance if vapor rushes into or out of fuel tank when you open deck fill cap. You may also notice difficulty while fueling (back-splash or pump shutting off continuously during fill).

Debris and spider webs can block the vent, especially after storage. Use these steps to clean vent screen before and after storage, or at least once a year.

Do this maintenance while boat is out of the water, so you do not risk losing parts.

1. Use a 3/16" (5mm) hex wrench to turn cap off counter-clockwise. Set cap aside for re-installation (Figure 3).
2. When cleaning, DO NOT allow debris to fall down the vent tube into tank.
3. Remove screen and clean with solvent or air pressure.
4. Replace screen in original position.
5. Replace and tighten vent cap (30-to-35 in./lb. torque, 3.39 to 3.95 N.Meters).

Figure 3



#### ATTWOOD LIMITED LIFETIME WARRANTY

This Attwood product carries a limited lifetime warranty against corrosion. See product catalog or [attwoodmarine.com](http://attwoodmarine.com) for details.