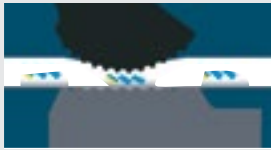


## Clutches – Features

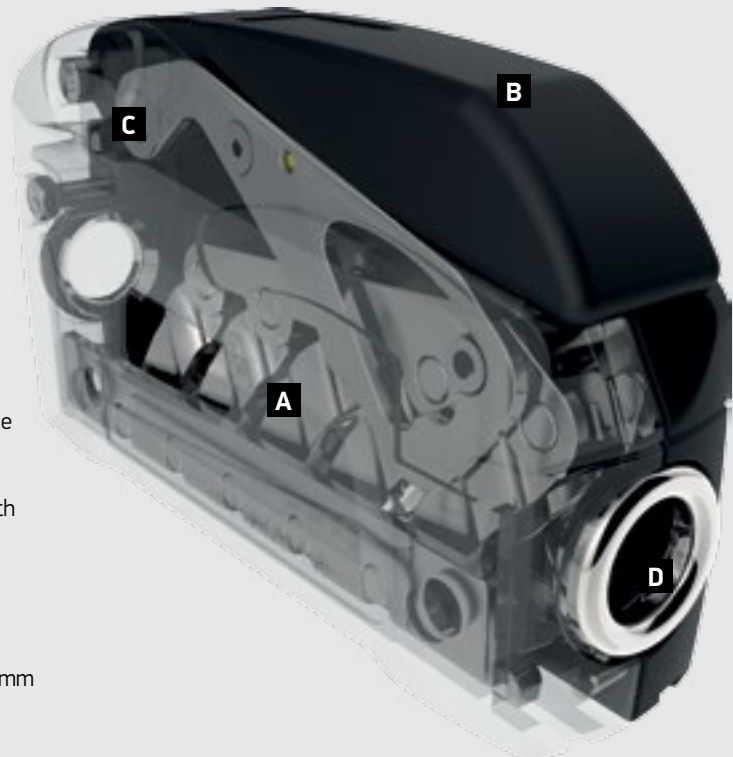
Lewmar continues to define rope clutch technology with a variable geometry handle and unique grip pattern of dominos that prevent rope fray. This revolutionary system has been independently tested time and again and has won awards for its innovative framework.



Instead of just jamming the rope...



... Lewmar's Domino mechanism flexes it for better grip and less rope wear.



- A** Domino Cluster and longer holding pattern holds line under load without fraying the rope
- B** Controlled Release – Pull back handle combined with patented clutch and release mechanism provides controlled release even at full holding load
- C** Handle has a solid link to the domino cluster
- D** Line Size – Clutches capable of holding lines from 6mm (1/4") to 14mm (9/16")

## Clutch Selection Guide

### Clutch Selection Guide

APPLICATION	m	BOAT LENGTH OVERALL											
		7.6 25	8.8 29	10.1 33	10.7 35	11.3 37	11.9 39	12.5 41	14.6 48	16.8 55	18.9 62	21.5 70	
HALYARDS	Main												
	Genoa												
	Spinnaker												
GOOSENECK	Reef Lines												
	Outhaul												
	Flattener												
POLE/BOOM LIFT	Spin Pole Uphaul												
	Spin Pole Down Haul												
	Heel Lift												
	Main Boom Topping Lift												
FURLING LINES	Genoa												
	Main												
SHEETS	Mainsheet 4:1 Purchase												
CONTROL LINES	Mainsheet Car (2:1 Purchase)												
	Genoa Car (2:1 Purchase)												
	Pole Outhaul												
	Kicking Strap/Vang												

DC1 Rope Clutch DC2 Rope Clutch